

PORTABLE LINE BORING  
MACHINES

# EASY Compact

from  $\varnothing$  42 mm to  $\varnothing$  250 mm (1,65" - 9,84")



# EASY Compact



The **Supercombinata EASY Compact**, thanks to its standard equipment, is suitable to perform internal **line boring** and internal **overlay welding** within a working range from **Ø 42 mm** to **Ø 250 mm** in very small spaces. By means of **extra kits** it is able to perform external line boring, facing of orthogonal planes and creation of circlips grooves. With additional **accessories**, the Supercombinata can be adapted to many different needs of our customers.

## TECHNICAL SPECIFICATIONS

### DIAMETERS

|                              |                |
|------------------------------|----------------|
| Boring bar diameter:         | Ø 40 x 2200 mm |
| In line boring:              | Ø 42 – 250 mm  |
| External line boring:        | Extra kit      |
| Internal welding:            | Ø 42 – 250 mm  |
| Facing of orthogonal planes: | Extra kit      |

### ROTATION MOTOR

|                           |                      |
|---------------------------|----------------------|
| AC motor:                 | Single phase         |
| Power at rated speed:     | 1800 W               |
| Output torque at the bar: | 290 Nm with 120 rpm  |
| 1° speed:                 | max 100 rpm (170 Nm) |
| 2° speed:                 | max 340 rpm (50 Nm)  |

### FEED MOTOR

|                       |                   |
|-----------------------|-------------------|
| Gear motor:           | DC                |
| Power at rated speed: | 90 W              |
| Max Speed:            | 11 rpm            |
| Feed system:          | Electromechanical |
| Feed:                 | Manual/Automatic  |

### WELDING TECHNOLOGY

|                  |  |
|------------------|--|
| Spiral:          | Continuous with variable step                    |
| Welding machine: | Compatible with MIG/MAG wire with EURO connector |

### LONGITUDINAL STROKE

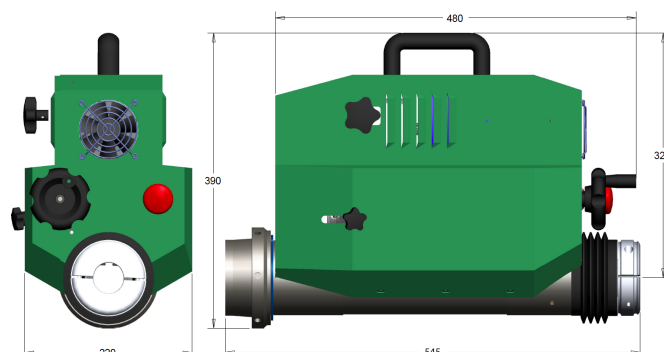
|            |                   |
|------------|-------------------|
| Unlimited: | With 250 mm pitch |
|------------|-------------------|

### ELECTRONIC CONTROL PANEL

|                          |                      |
|--------------------------|----------------------|
| Voltage:                 | 220/240 V (50/60 Hz) |
| Main switch:             | Available            |
| Emergency switch:        | Available            |
| Inverter feed:           | RH/LH                |
| Inverter rotation:       | CW/CCW               |
| Speed regulator:         | Rotation/Feed        |
| Electrical absorption:   | 2000 W               |
| Control panel 110/120 V: | Upon request         |

### DIMENSIONS

|                      |        |
|----------------------|--------|
| Length:              | 545 mm |
| Width:               | 220 mm |
| Height:              | 380 mm |
| Weight central unit: | 34 kg  |



## STANDARD EQUIPMENT

|      |                                      |
|------|--------------------------------------|
| QTY1 | MAIN UNIT                            |
| QTY1 | BORING MACHINE STAND                 |
| QTY1 | ELECTRONICAL CONTROL PANEL           |
| QTY1 | CONTROL PANEL HOLDER                 |
| QTY1 | CABLE CONTROL PANEL /MACHINE         |
| QTY1 | POWER CABLE 220V                     |
| QTY1 | BORING BAR Ø 40X2200 MM              |
| QTY1 | BORING BAR EXTENSION 420 MM          |
| QTY1 | PIVOT                                |
| QTY1 | TOOL HOLDER FOR BORING D. 100-250 MM |
| QTY1 | SPECIAL TOOL HOLDER LH Ø 12X40 MM    |
| QTY1 | TOOL HOLDER LH Ø 12X40 MM            |
| QTY1 | TOOL HOLDER LH Ø 12X60 MM            |
| QTY1 | TOOL HOLDER RIGHT RH Ø 12X100 MM     |
| QTY1 | BOX WITH 10 CUTTING INSERTS          |

|       |                                   |
|-------|-----------------------------------|
| QTY 2 | MAIN BAR SUPPORT                  |
| QTY 2 | ADDITIONAL SUPPORT                |
| QTY 1 | TELESCOPIC SHAFT FOR WELDING      |
| QTY 5 | DIFFUSOR EXTENSION 35 MM          |
| QTY 4 | SHORT GAS NOZZLE                  |
| QTY 4 | LONG GAS NOZZLE                   |
| QTY 5 | SHORT CONTACT TIP Ø 0.8 MM WIRE   |
| QTY 5 | LONG CONTACT TIP Ø 0.8 MM WIRE    |
| QTY 1 | O-RING FOR WELDING SHAFT 100X5 MM |
| QTY 1 | CENTRING SYSTEM FOR THROUGH HOLES |
| QTY 1 | TELESCOPIC GAUGE UP TO Ø 250 MM   |
| QTY 1 | DIAL GAUGE                        |
| QTY 1 | DIAL GAUGE SUPPORT                |
| QTY 1 | SET OF WRENCHES                   |
| QTY 1 | SCREWS AND BOLTS                  |



## • EXTRA KITS

### BORING REDUCTION

|          |                              |
|----------|------------------------------|
| KEP00187 | Ø 22 - 44 mm (0,87" - 1,73") |
| KEP00188 | Ø 32 - 70 mm (1,26" - 2,76") |

### FACING

|          |                                |
|----------|--------------------------------|
| KE500186 | Ø 48 - 255 mm (1,89" - 10,04") |
|----------|--------------------------------|

### OD MACHINING

|          |  |
|----------|--|
| KEL00202 | Ø 100 - 200 mm - D. 200 mm (3,94" - 7,88") |
|----------|--|

## • ACCESSORIES

|          |                                       |
|----------|---------------------------------------|
| AE003017 | BORING BAR Ø 40X3000 MM               |
| AE000489 | EXTERNAL JOINT FOR BORING BAR Ø 30 MM |
| AE000487 | EXTERNAL JOINT FOR BORING BAR Ø 40 MM |
| AE000490 | INTERNAL JOINT FOR BORING BAR Ø 40 MM |
| AE030015 | CAM SYSTEM                            |
| GC375C   | INTERNAL SUPPORT D. 200-300 MM        |
| GC365C   | SET OF 2 CENTRING CONES D. 60-105 MM  |
| SG00127  | TERMINAL LANCE D. 30-50 MM            |
| COT90201 | LONG CONTACT TIP Ø 1,0 MM WIRE        |
| COT90202 | SHORT CONTACT TIP Ø 1,0 MM WIRE       |



# Stessen kotter- machines

[www.kottermachines.nl](http://www.kottermachines.nl)  
[info@stessen.com](mailto:info@stessen.com)  
+31(0)45-5445588

Sourethweg 5D - 6422PC Heerlen



Elsa Srl  
Località La Petrizia SS 106  
88050 Sellia Marina (CZ) - Italia  
Tel: (+39) 0961 962854  
Fax: (+39) 0961 968716  
[info@elsasrl.com](mailto:info@elsasrl.com)

[www.elsasrl.com](http://www.elsasrl.com)

EN

SUPERCOMBINATA  
EASY COMPACT